

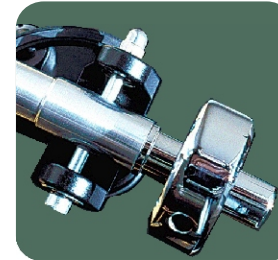
SILVER TONEARM

The first major advance in tonearm design for many years
"One of the designs of the decade" HI-FI WORLD



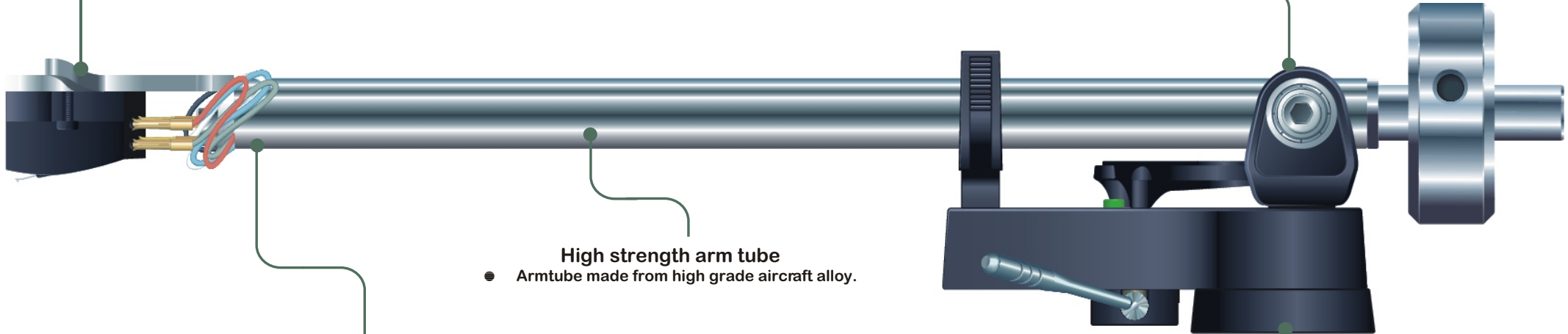
Advanced headshell & wiring

- High strength headshell decoupled and rigidly attached to the arm tube.
- Headshell wires silver plated and insulated in robust PTFE.
- Gold plated copper beryllium cartridge tags.



High Performance Counterweight & bearings

- Rear Stub and counterweight design is modelled on the highly acclaimed Origin live Rega structural modification.
- Horizontal bearings are highly specified. In addition to this they are positioned outside the arm tube and widely spaced. This reduces resonance within the tube and increases torsional stability - both of which result in substantial performance improvements over conventional arms.



High strength arm tube

- Arm tube made from high grade aircraft alloy.

High grade connection

- Internal wiring of high grade Litz wire
- Special external wiring selected from hundreds tested.
- Utilises high grade aluminium phono plugs with over twice the conductivity of brass phono connectors resulting in a very audible improvement in the sound.
- Separate earth lead from headshell to provide optimum earthing and screening.

Compatible mounting

- Can be directly substituted for any Rega arm as the base is identical to that of the RB250's and RB300's or Origin Live arms.
- Easily fitted to the Linn LP12 using our pre-drilled arm board for the Linn.

